

28 031 970



- rain shower Ø 300 mm
- PURE RAIN, max. flow rate 12 l/min (at 3 bar)
- PURIFY RAIN, max. flow rate 6 l/min (at 3 bar)
- Distance to ceiling from bottom edge of shower 40 mm
- with anti-scale system
- For simultaneous control of the jet types, we recommend the xTool thermostat module

Fits: TARA, LISSÉ, VAIA, META

| | | |
|---|-------------------------------------|---------------|
|  | Brushed Bronze | 28 031 970-42 |
|  | Chrome | 28 031 970-00 |
|  | Brushed Platinum | 28 031 970-06 |
|  | Platinum | 28 031 970-08 |
|  | Dark Chrome | 28 031 970-19 |
|  | Light Gold | 28 031 970-26 |
|  | Brushed Light Gold | 28 031 970-27 |
|  | Brushed Durabronze (23kt Gold) | 28 031 970-28 |
|  | Matte Black | 28 031 970-33 |
|  | Brushed Champagne (22kt Gold) | 28 031 970-46 |
|  | Champagne (22kt Gold) | 28 031 970-47 |
|  | Brushed Chrome | 28 031 970-93 |
|  | Brushed Dark Platinum | 28 031 970-99 |

Required miscellaneous

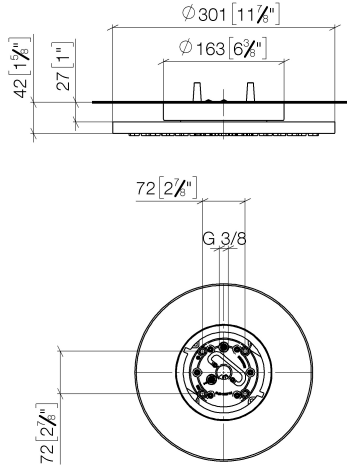


Concealed ceiling installation box 35 041 970 90 with ceiling fixing -

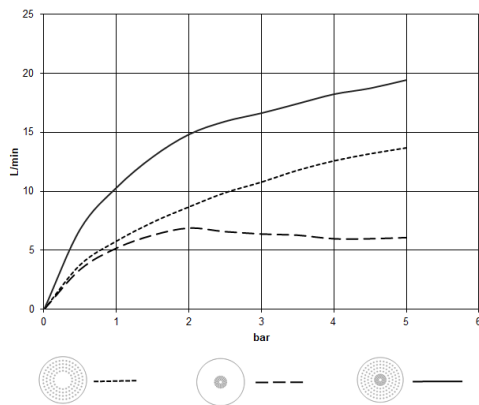
- concealed rough parts
- min. recess depth 90 mm
- max. recess depth 115 mm
- 2x female thread 1/2" outlet

28 031 970

mm [inches]



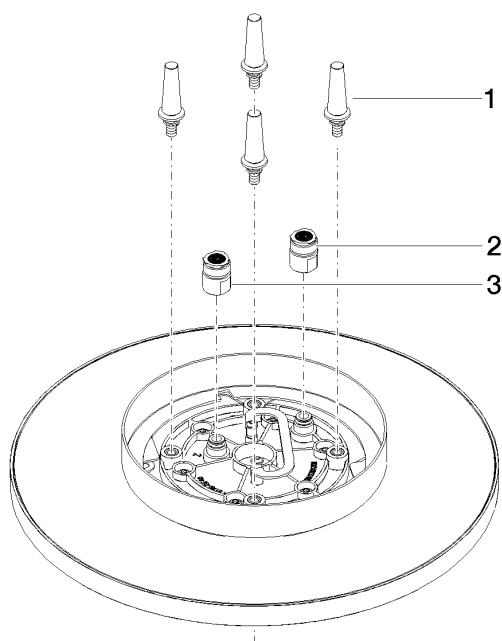
Flow rate chart



Certificates

LGA_38400.

28 031 970



Spare parts list

| No. | Item Number | Name | Quantity used | Delivery time |
|-----|--------------------|------------|---------------|---------------|
| 1 | 90 17 20 263 00 90 | fixing set | 1 | 2 |
| 2 | 90 24 03 309 01 90 | connection | 1 | 2 |
| 3 | 90 24 03 309 00 90 | connection | 1 | 2 |